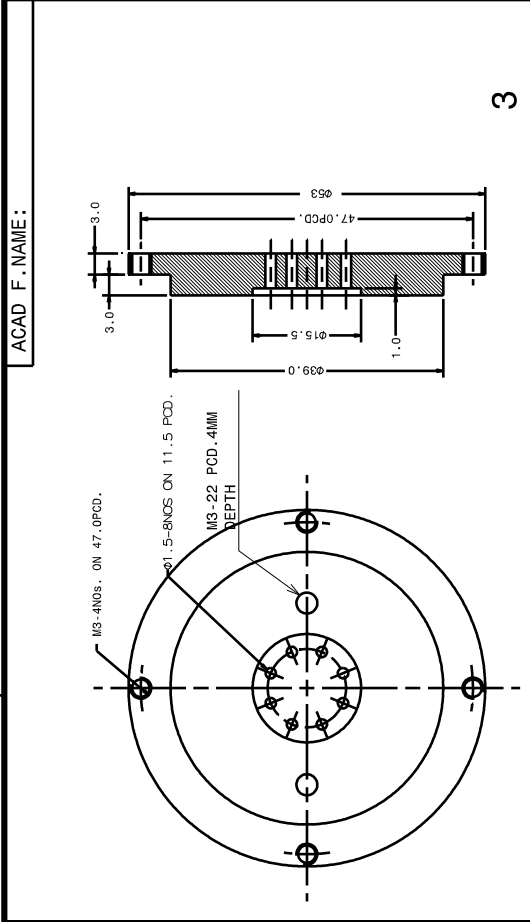
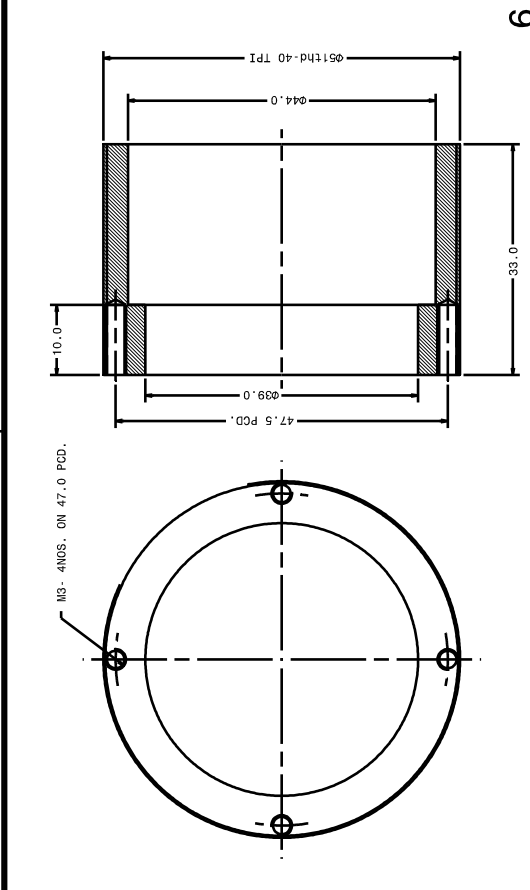
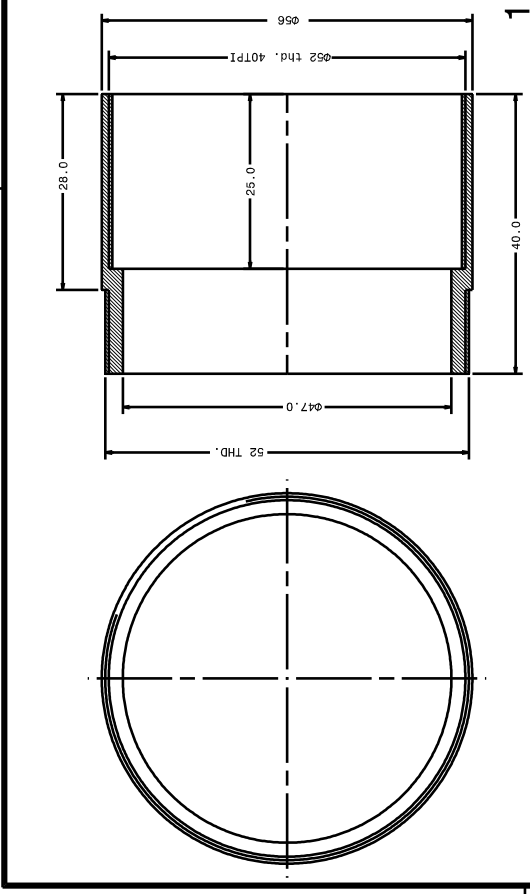


A

B

C

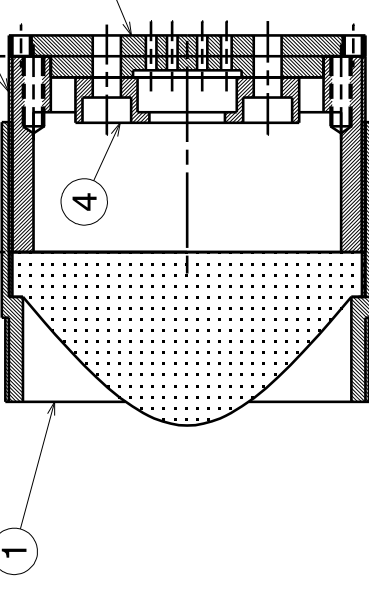
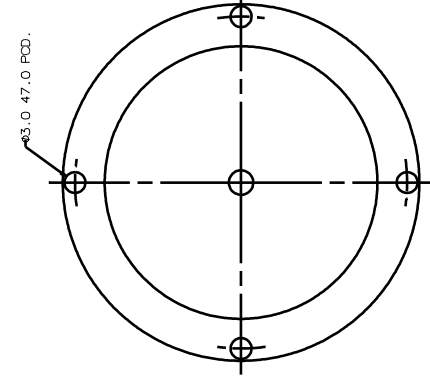
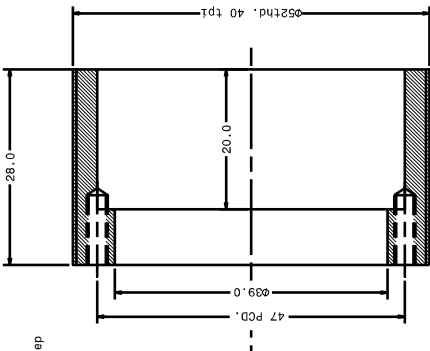
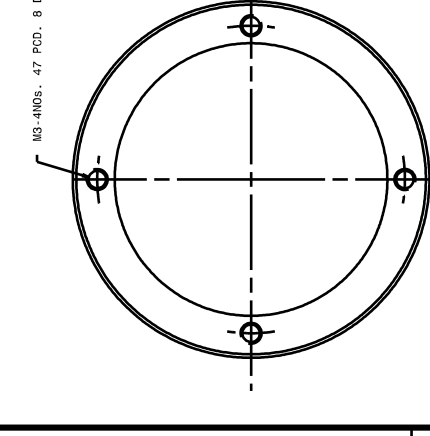
D



3

6

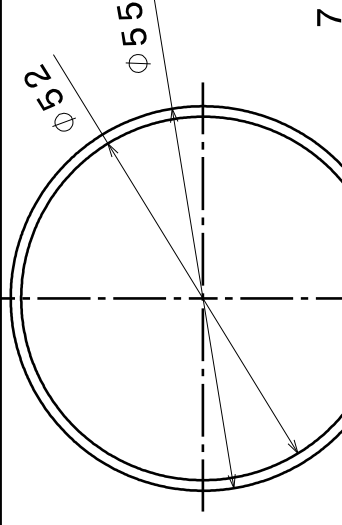
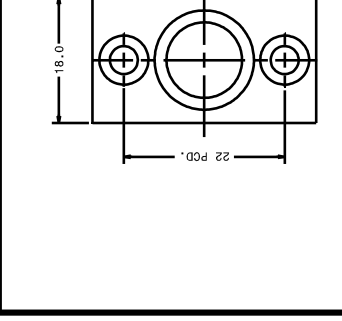
3



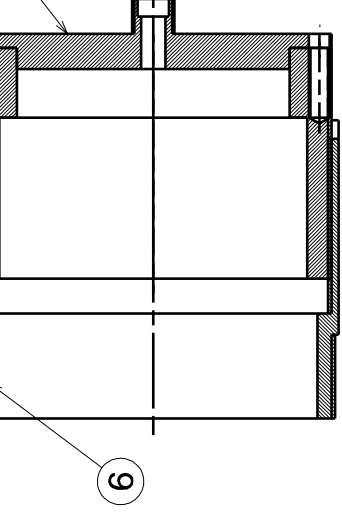
2

5

2



LOCKING RING



5

6

1

DRG. NO	CO-ORDINATED BY	▽ 8.25	▽ 1.6-8	▽ 0.025-1.6	▽ 0.025	REVISION COLUMN	REV	ZONE	DESCRIPTION	DATE	REMARKS	APPROVED BY	ASS'Y GROUP:	INSTITUTE FOR PLASMA RESEARCH			
													ALL DIMENSIONS ARE IN 'mm' UNLESS OTHERWISE STATED		BHAT, GANDHINAGAR-382 428.		
		MACHINING DEVIATIONS FOR NON-TOLERANCED DIMENSIONS										SCALE		TITLE			
LENGTH IN mm OF SHORTER SIDE OF ANGLES												DRAWN		DATE			
UPTO 10	10-50	50-120	OVER 120-400	UPTO 6	6-30	30-120	120-315								CHECKED	REV	
+1 <sup>-</sup>	+0 <sup>-</sup> -30 <sup>'</sup>	+0 <sup>-</sup> -20 <sup>'</sup>	+0 <sup>-</sup> -10 <sup>'</sup>	+0 <sup>-</sup> .1	+0 <sup>-</sup> .2	+0 <sup>-</sup> .3	+0 <sup>-</sup> .5								APPROVED	DRG. NO	SHEET OF

A

B

C

D